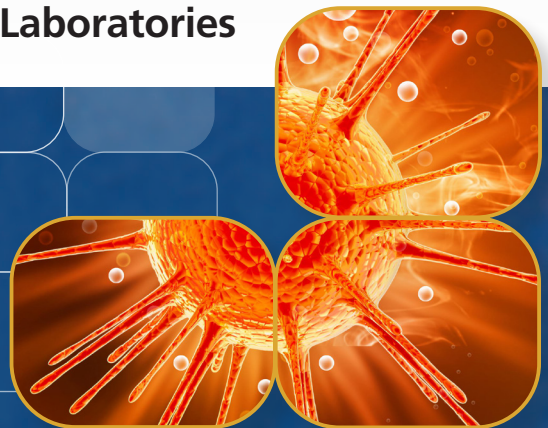


Airstream®

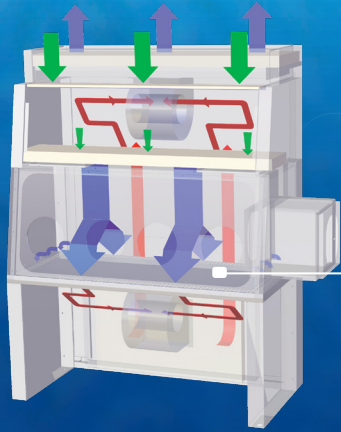


*Airstream® Class III, Biological Safety Cabinet,
Model: AC3-4B_.*

Class III, Biological Safety Cabinets
The Premier Solution for High Containment Laboratories



ESCO
SCIENTIFIC



Cabinet Filtration System

Dynamic air barrier, inflow and forward-directed downflow air converge

- Ambient air is pulled into the cabinet through a disposable pre-filter, trapping larger particles and prolonging the life of main filter. Air is then passed through the downflow ULPA filter into the work zone, bathing the work surface in clean air.
- Near the work surface, the downflow air stream splits and exits the chamber through perforations around the perimeter of the work zone.
- Air from work zone passes through the first ULPA exhaust filter below the work surface, before traveling through internal ducting and exhausting to the laboratory environment after passing through the second ULPA exhaust filter located above the cabinet's main chamber.

- ULPA-filtered air
- Unfiltered / potentially contaminated air
- Room air / inflow air



Sentinel™ Silver Microprocessor Controller

- Supervises all cabinet functions
- Easy-to-use soft keys for menu, blower, light, UV, electrical outlet, etc
- Large display which monitors the operational parameters



Magnehelic* pressure gauge

- Mounted in the rear of the work zone for at-a-glance monitoring of work zone negative pressure

*Registered trademark of Dwyer Instruments, Inc.



Pass Box

- Equipped with interlocking doors that permits materials transfer without risk of environmental contamination



Glove ports

- For easy and safe glove changing



Neoprene™ Synthetic Arm-length Gauntlets

- Single piece, leak-tested assembly guarantees maximum protection and flame and abrasion resistant



Available in 1.2, 1.5, and 1.8 meter models (4', 5', and 6'). Shown with optional telescoping stand.

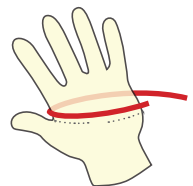
ISOCIDE™



cen
EN12469

Glove Sizes

- To find out your glove size, measure (in inches) around your hand with a tape measure at the place indicated on the diagram. This measurement, in inches, is the closest to your glove size, i.e. 8" is equal to a glove size of 8.
- You should use your dominant hand, the right if you are righthanded, and the left if you are left-handed.
- Standard glove sizes available are 8 (standard size) and 9. Specify when ordering.



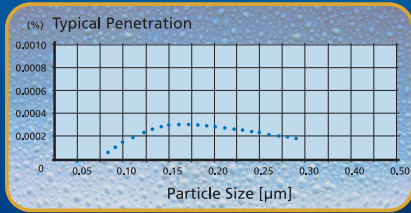
Standards Compliance	Biosafety Cabinets	For Air Quality	For Filtration	For Electrical Safety
	EN 12469, Europe	ISO 14644.1 Class 3, Worldwide IEST-G-CC1001, USA IEST-G-CC1002, USA	IEST-RP-CC034.1, Worldwide IEST-RP-CC007.1, Worldwide IEST-RP-CC001.3, Worldwide EN 1822 (H14), Europe	IEC 61010-1, Worldwide EN 61010-1, Europe UL 61010-1, USA CAN/CSA-22.2, No. 61010-1

Air-tight Built

- Completely welded construction to ensure absolute containment for operator and environmental safety

Dual Exhaust ULPA FILTER

- 10x Filtration efficiency of HEPA filter
- Creates ISO Class 3 work zone instead of industry-standard ISO Class 5

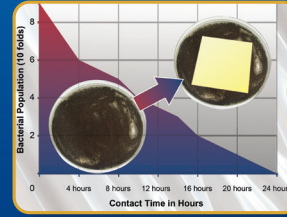


Angled Front

- To optimize user comfort, reduce glare and maximize reach into the work area

ISOCIDE™ Powder Coat

- Silver-ion impregnated powder coat
- Inhibit microbial growth to improve safety



General Specifications, Airstream Class III, Biological Safety Cabinets

Note to customer: Insert electrical voltage number into last model number digits _ when ordering

Model	AC3-4B__	AC3-5B__	AC3-6B__	
Nominal Size	1.2 meter (4')	1.5 meter (5')	1.8 meter (6')	
External Dimensions (W x D x H)	1690 x 850 x 2270 mm 66.6" x 33.5" x 89.4"	1995 x 850 x 2270 mm 78.6" x 33.5" x 89.4"	2300 x 850 x 2270 mm 90.6" x 33.5" x 89.4"	
Internal Work Area, Dimensions (W x D x H)	1130 x 560 x 635 mm 44.5" x 22" x 25"	1430 x 560 x 635 mm 56.3" x 22" x 25"	1755 x 560 x 635 mm 69.1" x 22" x 25"	
Internal Work Area, Space	0.63 m ² (6.8 sq.ft)	0.80 m ² (8.6 sq.ft)	0.98 m ² (10.5 sq.ft)	
Number of Gloves Ports	2 ports	4 ports	4 ports	
Glove Type & Sizes Available	Neoprene™ polychloroprene synthetic rubber gauntlets. Available in sizes 7, 8 (standard size) and 9			
Initial Airflow Volume	603 m ³ /h (355 cfm)	756 m ³ /h (445 cfm)	902 m ³ /h (531 cfm)	
Minimum Required Negative Pressure	-200 Pa (0.8" Wg)			
Nominal Required Negative Pressure	-275 Pa (- 1.1" Wg)			
Pre-Filter	Disposable and non-washable polyester fibers with 85% arrestance / EU3 rated			
ULPA Filter Typical Efficiency (Downflow, 1st Exhaust, 2nd Exhaust)	Typical: 99.999% at 0.1 to 0.3 µm and MPPS			
Sound Emission (Typical)*	NSF 49	<61 dBA	<62 dBA	<64 dBA
	EN 12469	<58 dBA	<59 dBA	<61 dBA
LED Light Intensity At Zero Ambient	> 800 lux (74 foot candles)			
Cabinet Construction	Main Body	1.5 mm (0.06") 16 gauge electro-galvanized steel with white oven-baked epoxy-polyester Isocide™ antimicrobial powder coated finish		
	Work Zone	1.2 mm (0.05") 18 gauge stainless steel, type 304, with 4B finish		
Electrical**	220-240V, AC, 50Hz, 1Ø	AC3-4B1	AC3-5B1	AC3-6B1
	Cabinet Full Load Amps (FLA)	3 A	3 A	3 A
	Optional Outlets FLA	5 A	5 A	5 A
	Cabinet Nominal Power	361 W	430 W	455 W
	Cabinet BTU	1232	1467	1553
	110-120V, AC, 60Hz, 1Ø	AC3-4B2	AC3-5B2	AC3-6B2
	Cabinet Full Load Amps (FLA)	10 A	11.5 A	11.5 A
	Optional Outlets FLA	5 A	5 A	5 A
Cabinet Nominal Power	536 W	586 W	620.5 W	
Cabinet BTU	1829	2000	2117	
Net Weight	498 kg (1096 lbs)	598 kg (1316 lbs)	676 kg (1487 lbs)	
Shipping Weight	606.5 kg / 1337 lbs	615 kg / 1356 lbs	720 kg / 1587 lbs	
Shipping Dimensions, Maximum (W x D x H)	2600 x 1950 x 1320 mm 102.4" x 76.8" x 52.0"	2600 x 2150 x 1320 mm 102.4" x 84.6" x 52.0"	2600 x 2150 x 1320 mm 102.4" x 84.6" x 52.0"	
Shipping Volume, Maximum	6.69 m ³ (236 cu.ft.)	7.38 m ³ (261 cu.ft.)	7.38 m ³ (261 cu.ft.)	

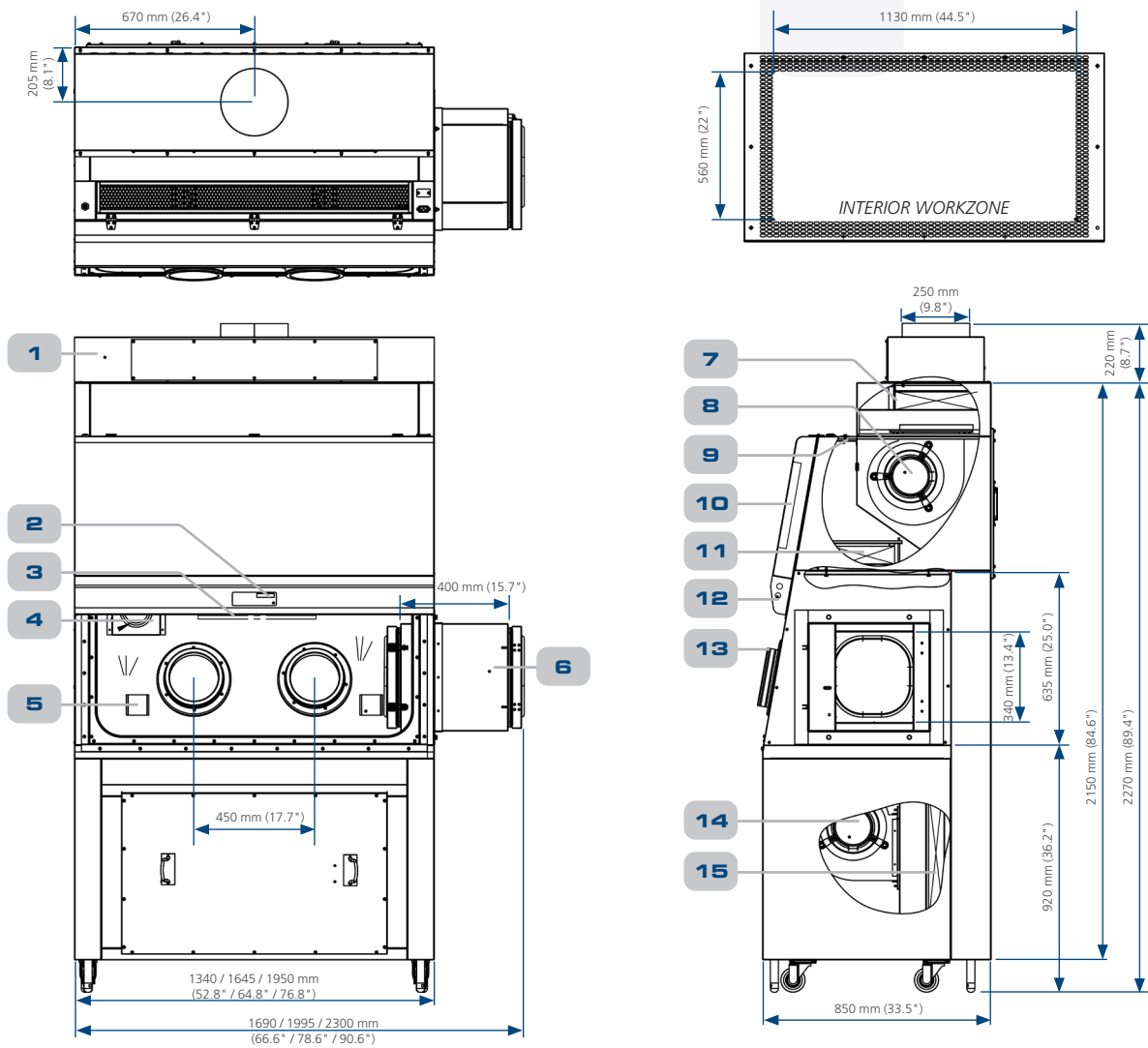
Accessories for AC3 Biological Safety Cabinets

Cabinet	Stainless Steel Side Wall	AC3-4B1 (2010204)	AC3-5B1 (2010207)	AC3-6B1 (2010210)
Exhaust Ducting	Anti-blowback Valve	ABBV-10P (5170352)		
	Exhaust Collar 10' dm	ECO-AC34B (5170086)	ECO-AC35B (5170088)	ECO-AC36B (5170139)
	Air Tight Damper	B2-Damper (5170104)		
Work Zone	Ultraviolet (UV) Lamp	UV-15A (5170251)	UV-30A (5170255)	
Electrical Outlet	Direct Mounted	EO-HD (5170036)		

* Noise reading in open field condition/ anechoic chamber.

** Additional voltages may be available; contact Esco for ordering information.

Airstream® Class III, Biological Safety Cabinets Engineering Drawing (AC3-4B)



- | | | | |
|--|-------------------------------|-------------------------------------|-------------------------------|
| 1. Exhaust Collar (Optional) | 4. Pressure Gauge | 8. Second Exhaust Blower | 12. LED Light |
| 2. Esco Sentinel Microprocessor Control System | 5. Electrical Outlet | 9. Pre-Filter | 13. Glove Ports |
| 3. UV Lamp (Optional) | 6. Pass Box | 10. Electrical and Electronic Panel | 14. First Exhaust Blower |
| | 7. Second Exhaust ULPA Filter | 11. ULPA Filter (Downflow) | 15. First Exhaust ULPA Filter |

Follow us on social media, download our apps, and scan the QR code for more info.



@EscoLifesciences



@EscoLifesciences



@EscoLifesci



@Esco



@EscoLifesciences



@EscoLifesciences



Esco Lifesciences



Esco Lifesciences

ESCO

LIFESCIENCES GROUP

Esco Micro Pte. Ltd. • 19 Changi South Street 1 • Singapore 486 779
 Tel +65 6542 0833 • mail@escolifesciences.com
 www.escolifesciences.com

Esco Technologies, Inc. • 903 Sheehy Drive, Suite F, Horsham, PA 19044, USA
 Tel: +1 215-441-9661 • eti.admin@escolifesciences.com

Esco Lifesciences Group Offices: Bangladesh | China | Denmark | Germany | Hong Kong | India | Indonesia | Italy | Japan | Lithuania | Malaysia | Myanmar | Philippines | Russia | Singapore | South Africa | South Korea | Taiwan | Thailand | UAE | UK | USA | Vietnam